



DEPARTMENT OF REGULATORY AND ECONOMIC RESOURCES (RER)  
BOARD AND CODE ADMINISTRATION DIVISION

**NOTICE OF ACCEPTANCE (NOA)**

MIAMI-DADE COUNTY  
PRODUCT CONTROL SECTION  
11805 SW 26 Street, Room 208  
Miami, Florida 33175-2474  
T (786)315-2590 F (786) 315-2599  
[www.miamidade.gov/economy](http://www.miamidade.gov/economy)

**Isaiah Industries, Inc.**  
**8510 Industry Park Drive**  
**Piqua, OH 45356**

**SCOPE:**

This NOA is being issued under the applicable rules and regulations governing the use of construction materials. The documentation submitted has been reviewed and accepted by Miami-Dade County RER -Product Control Section to be used in Miami Dade County and other areas where allowed by the Authority Having Jurisdiction (AHJ).

This NOA shall not be valid after the expiration date stated below. The Miami-Dade County Product Control Section (In Miami Dade County) and/or the AHJ (in areas other than Miami Dade County) reserve the right to have this product or material tested for quality assurance purposes. If this product or material fails to perform in the accepted manner, the manufacturer will incur the expense of such testing and the AHJ may immediately revoke, modify, or suspend the use of such product or material within their jurisdiction. RER reserves the right to revoke this acceptance, if it is determined by Miami-Dade County Product Control Section that this product or material fails to meet the requirements of the applicable building code.

This product is approved as described herein, and has been designed to comply with the Florida Building Code including the High Velocity Hurricane Zone of the Florida Building Code.

**DESCRIPTION: Oxford Shingle**

**LABELING:** Each unit shall bear a permanent label with the manufacturer's name or logo, city, state and following statement: "Miami-Dade County Product Control Approved", unless otherwise noted herein.

**RENEWAL** of this NOA shall be considered after a renewal application has been filed and there has been no change in the applicable building code negatively affecting the performance of this product.

**TERMINATION** of this NOA will occur after the expiration date or if there has been a revision or change in the materials, use, and/or manufacture of the product or process. Misuse of this NOA as an endorsement of any product, for sales, advertising or any other purposes shall automatically terminate this NOA. Failure to comply with any section of this NOA shall be cause for termination and removal of NOA.

**ADVERTISEMENT:** The NOA number preceded by the words Miami-Dade County, Florida, and followed by the expiration date may be displayed in advertising literature. If any portion of the NOA is displayed, then it shall be done in its entirety.

**INSPECTION:** A copy of this entire NOA shall be provided to the user by the manufacturer or its distributors and shall be available for inspection at the job site at the request of the Building Official.

This renews NOA No. 12-0820.01 consists of pages 1 through 5.  
The submitted documentation was reviewed by Juan E. Collao, R.A.



NOA No.: 14-0325.08  
Expiration Date: 07/29/19  
Approval Date: 06/26/14  
Page 1 of 5

**ROOFING ASSEMBLY APPROVAL:**

**Category:** Roofing  
**Sub-Category:** Non-Structural Metal Roofing  
**Material:** Aluminum  
**Deck Type:** Wood  
**Maximum Design Pressure** -76 psf.

**TRADE NAMES OF PRODUCTS MANUFACTURED OR LABELED BY APPLICANT:**

<u>Product</u>	<u>Dimensions</u>	<u>Test Specifications</u>	<u>Product Description</u>
Oxford Shingle	W= 12” L = 60” Thickness min. 0.032”	TAS 125	Preformed, Aluminum Panel. Kynar/Hylar Coated.
Continuous Clip	W= 3” L = various Thickness min. 0.032”	TAS 125	Aluminum continuous clip used with the Oxford Shingle Panel.

**MANUFACTURING LOCATION:**

1. Piqua, OH

**EVIDENCE SUBMITTED:**

<u>Test Agency</u>	<u>Test Identifier</u>	<u>Test Name/Report</u>	<u>Date</u>
Applied Research Laboratories	29912	ASTM B 117 ASTM G 26	07/14/99
Farabaugh Engineering and Testing	T102-09	TAS 125	01/09/09
Architectural Testing	01-45797.01	TAS 100	03/09/04
Underwriters Laboratories, Inc.	TFXX.R5100	Fire Classification	12/09/13



## APPROVED ASSEMBLIES:

<b>System A:</b>	Oxford Shingle Roof Panel
<b>Deck Type:</b>	Wood, Non-insulated
<b>Deck Description:</b>	New construction or Re-roof, $1\frac{5}{32}$ " or greater plywood or wood plank
<b>Slope Range:</b>	3:12 or greater
<b>Maximum Uplift Pressure:</b>	-76 psf. (See General Limitation #2)

---

<b>Deck Attachment:</b>	Deck shall be attached in accordance with applicable Building Code, but in no case shall it be less than #8 x 2" wood screws spaced 6" o.c. In reroofing, where the deck is less than $1\frac{9}{32}$ " thick (Minimum $1\frac{5}{32}$ " ) the above attachment method must be in addition to existing attachment.
<b>Underlayment:</b>	Minimum underlayment shall be an ASTM D 226 Type II installed with a minimum 4" side-lap and 6" end-laps. Underlayment shall be fastened with corrosion resistant tin-caps and 12 gauge 1 $\frac{1}{4}$ " annular ring-shank nails, spaced 6" o.c. at all laps and two staggered rows 12" o.c. in the field of the roll. Or, any approved underlayment having a current NOA.
<b>Fire Barrier:</b>	Any approved fire barrier having a current NOA. Refer to a current fire directory listing for fire ratings of this roofing system assembly as well as the location of the fire barrier within the assembly. See Limitation # 1.
<b>Valleys:</b>	Valley construction shall be in compliance with Roofing Application Standard RAS 133 and with Isaiah Industries, Inc.'s current published installation instructions.
<b>Metal Panels and Accessories:</b>	<p>Install the "Oxford Shingle" and accessories in compliance with Isaiah Industries, Inc.'s current, published installation instructions and details. Flashings, penetrations, valley construction and other details shall be constructed in compliance with the minimum requirements provided in Roofing Application Standard RAS 133.</p> <p>Install the eave starter as per Isaiah Industries, Inc.'s current, published installation instructions and details. Panels shall be installed from left to right and interlock with each other. The continuous clip shall be installed on the long dimension of the panel. Fastened the continuous clips to the deck every 6" o.c. with corrosion resistant aluminum ring shank nails of 0.145" shank diameter, <math>\frac{7}{16}</math>" head diameter by 1 <math>\frac{1}{4}</math>" long and of sufficient length to penetrate through the sheathing a minimum of <math>\frac{3}{16}</math>".</p> <p>Successive courses of shingles shall be staggered as follows: full shingle, 50", 30", 20", 48", 34" and 13", repeat.</p>



## SYSTEM LIMITATIONS

1. Fire classification is not part of this acceptance; refer to a current Approved Roofing Materials Directory for fire ratings of this product.
2. The maximum designed pressure listed herein shall be applicable to all roof pressure zones (i.e. field, perimeters, and corners). Neither rational analysis, nor extrapolation shall be permitted for enhanced fastening at enhanced pressure zones (i.e. perimeters, extended corners and corners).
3. All panels shall be permanently labeled with the manufacturer's name and/or logo, city and state of manufacturing facility, and the following statement: "Miami-Dade County Product Control Approved" **or** with the Miami-Dade County Product Control Seal as seen below. All clips shall be permanently labeled with the manufacturer's name and/or logo, and/or model.

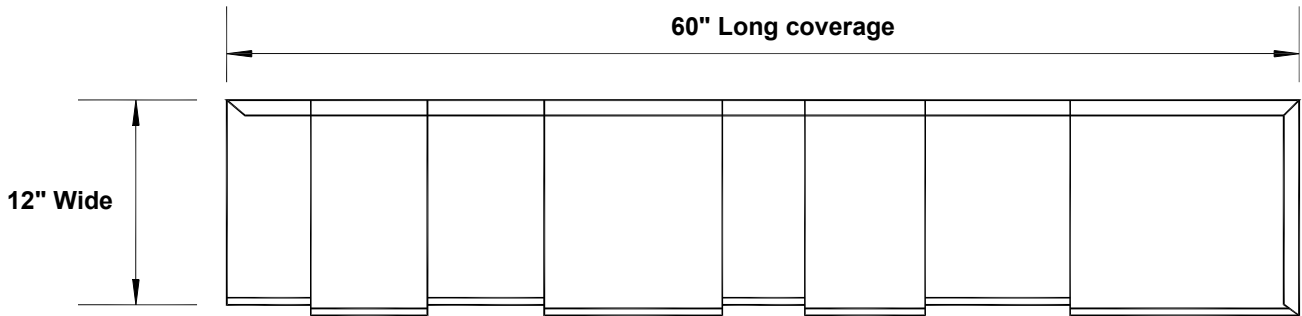


4. All products listed herein shall have a quality assurance audit in accordance with the Florida Building Code and Rule 61G20-3 of the Florida Administrative Code.

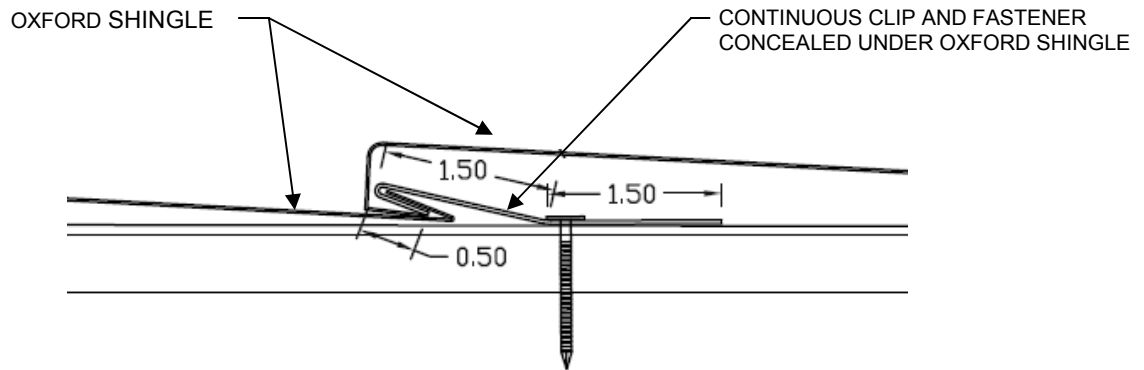


# PROFILE DRAWING

## OXFORD SHINGLE



## CONTINUOUS CLIP



**END OF THIS ACCEPTANCE**



NOA No.: 14-0325.08  
Expiration Date: 07/29/19  
Approval Date: 06/26/14  
Page 5 of 5